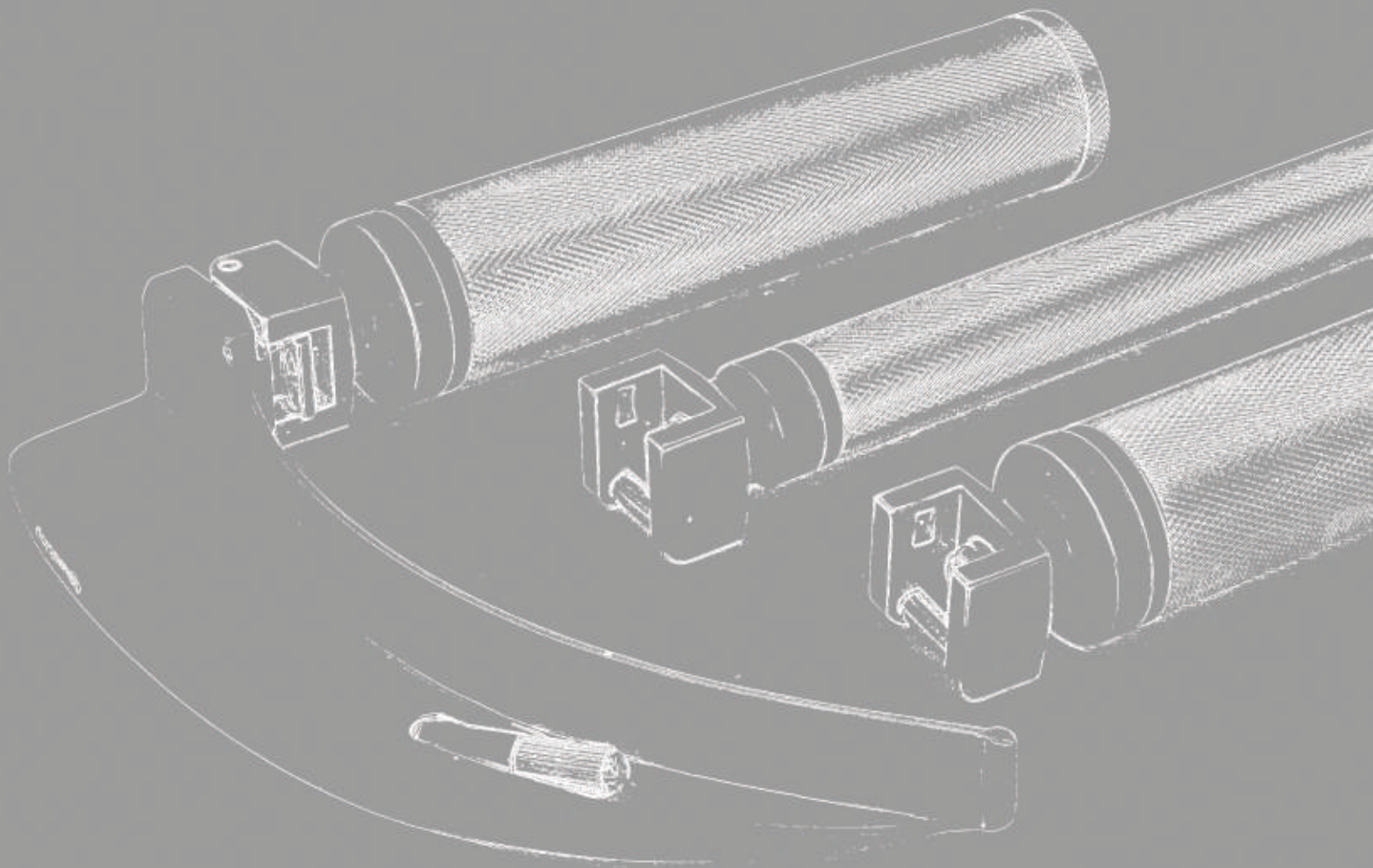




"SERVE LIFE - OUR AIM"



LARYNGOSCOPE
ENT DEVICES
CATALOGUE

Company Profile

Realstar Hospital Supplies is a family owned company, dedicated to giving you the personalized service you deserve. We have been supplying the medical industry with the finest in Surgical, Dental instrumentation, Laryngoscope, ENT Devices Hospital Furniture and Stainless Steel Hollowware for all specialties for over 40 years. Our office is located in Sialkot, Pakistan, we offer complete in-house repair service and custom manufacturing in addition to our already broad line of products.

When you buy from Realstar, you are guaranteed Durable products. Not only the best products, but the best service as well. If you ever have a question, we're here to help. We will be more than happy to give you the support you need.

Certifications & Standards:

As written on Surgical Instruments Catalogue

To Our Existing Customers

We would like to thank you for continuing to stay with the best. We appreciate your business.

To Prospective Customer

We look forward to starting a lasting relationship with you.

Guarantee

Realstar Hospital Supplies are guaranteed to be free of defects in materials and workmanship. Any product that is determined to be defective will be either repaired or replaced, at our discretion. Product not properly cared for or used for purposes not intended will not be covered. Realstar Hospital Supplies liability under this guarantee is limited to repair or replacement of defective items.

OEM Services

We have been providing OEM services to various bands in the health care industry all over the world for the past 25 years

OEM SERVICES PROVIDED, WITH THE UTMOST DISCRETION

Mc – Intosh Laryngoscopes Standard Illumination Adult Size



20-100-00
Mc - Intosh Blade Standard Illumination
Size: 0

20-100-01
Mc - Intosh Blade Standard Illumination
Size: 1

20-100-02
Mc - Intosh Blade Standard Illumination
Size: 2

20-100-03
Mc - Intosh Blade Standard Illumination
Size: 3



20-100-04
Mc - Intosh Blade Standard Illumination
Size: 4

20-200-15
Handle Standard Illumination
Size: Adult
Handle options: Child & Stubby

Standard Sets

Contents	Code
▪ Set of 3 Blades Size 0, 1, 2 and Adult Handle	▪ 20-200-30
▪ Set of 3 Blades Size 1, 2, 3 and Adult Handle	▪ 20-200-31
▪ Set of 4 Blades Size 0, 1, 2, 3 and Adult Handle	▪ 20-200-40
▪ Set of 4 Blades Size 1, 2, 3, 4 and Adult Handle	▪ 20-200-41

Sets available in hard case or soft pouch

Specification:

- Manufactured From AISI 304 Stainless Steel
- All Blades and Handles Compatible with ISO 7376 Standard
- Autoclavable
- Available in Halogen and LED Illumination
- Bulbs 2.5V
- Handles requires 2 x C size batteries
- Hard Case and Soft Pouch available



Head



Handle



Blade

Mc – Intosh Laryngoscopes
Fiber Optic Illumination
Adult Size



21-200-15
Handle Fiber Optic Illumination
Size: Adult
Handle options: Child & Stubby

Standard Sets

Contents	Code
▪ Set of 3 Blades Size 0, 1, 2 and Adult Handle	▪ 21-200-30
▪ Set of 3 Blades Size 1, 2, 3 and Adult Handle	▪ 21-200-31
▪ Set of 4 Blades Size 0, 1, 2, 3 and Adult Handle	▪ 21-200-40
▪ Set of 4 Blades Size 1, 2, 3, 4 and Adult Handle	▪ 21-200-41

Sets available in hard case or soft pouch



21-100-00
Mc - Intosh Blade Fiber Optic Illumination
Size: 0



21-100-01
Mc - Intosh Blade Fiber Optic Illumination
Size: 1



21-100-02
Mc - Intosh Blade Fiber Optic Illumination
Size: 2



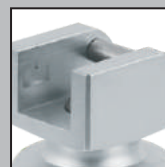
21-100-03
Mc - Intosh Blade Fiber Optic Illumination
Size: 3



21-100-04
Mc - Intosh Blade Fiber Optic Illumination
Size: 4

Specification:

- Fiber Optic Handle with 3.5mm dia for improved light transmission and longer life.
- Manufactured From AISI 304 Stainless Steel
- All Blades and Handles Compatible with ISO 7376 Standard
- Autoclavable
- Available in Halogen and LED Illumination
- Bulbs 2.5V
- Handles requires 2 x C size batteries
- Hard Case and Soft Pouch available



Head



Handle



Blade

Miller Laryngoscopes Standard Illumination Child / Infant Size



22-200-15

Handle Standard Illumination

Size: Child / Infant

Handle options: Adult & Stubby

Standard Sets

Contents	Code
▪ Set of 3 Blades Size 00, 0, 1 and Child Handle	▪ 22-200-30
▪ Set of 3 Blades Size 0, 1, 2 and Child Handle	▪ 22-200-31
▪ Set of 4 Blades Size 00, 0, 1, 2 and Child Handle	▪ 22-200-40
▪ Set of 4 Blades Size 0, 1, 2, 3 and Child Handle	▪ 22-200-41

Sets available in hard case or soft pouch



22-100-00

Miller Blade Standard Illumination

Size: 00



22-100-01

Miller Blade Standard Illumination

Size: 0



22-100-02

Miller Blade Standard Illumination

Size: 1



22-100-03

Miller Blade Standard Illumination

Size: 2



22-100-04

Miller Blade Standard Illumination

Size: 3

Specification:

- Manufactured From AISI 304 Stainless Steel
- All Blades and Handles Compatible with ISO 7376 Standard
- Autoclavable
- Available in Halogen and LED Illumination
- Bulbs 2.5V
- Handles requires 2 x AA size batteries
- Hard Case and Soft Pouch available



Head



Handle



Blade

Miller Laryngoscopes

Fiber Optic Illumination

Adult Size



23-200-15
Handle Fiber Optic Illumination
Size: Adult
Handle options: Child & Stubby

Standard Sets

Contents	Code
Set of 3 Blades Size 0, 1, 2 and Adult Handle	23-200-30
Set of 3 Blades Size 1, 2, 3 and Adult Handle	23-200-31
Set of 4 Blades Size 0, 1, 2, 3 and Adult Handle	23-200-40
Set of 4 Blades Size 1, 2, 3, 4 and Adult Handle	23-200-41

Sets available in hard case or soft pouch



23-100-00
Miller Blade Fiber Optic Illumination
Size: 0



23-100-01
Miller Blade Fiber Optic Illumination
Size: 1



23-100-02
Miller Blade Fiber Optic Illumination
Size: 2



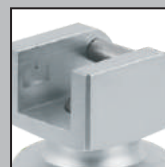
23-100-03
Miller Blade Fiber Optic Illumination
Size: 3



23-100-04
Miller Blade Fiber Optic Illumination
Size: 4

Specification:

- Fiber Optic Handle with 3.5mm dia for improved light transmission and longer life.
- Manufactured From AISI 304 Stainless Steel
- All Blades and Handles Compatible with ISO 7376 Standard
- Autoclavable
- Available in Halogen and LED Illumination
- Bulbs 2.5V
- Handles requires 2 x C size batteries
- Hard Case and Soft Pouch available



Head



Handle



Blade



Mc – Intosh Integrated Laryngoscopes

Fiber Optic Illumination

Adult Size



24-200-15
Handle Fiber Optic Illumination
Size: Adult
Handle options: Child & Stubby

Standard Sets

Contents	Code
▪ Set of 3 Blades Size 00, 0, 1 and Adult Handle	▪ 24-200-30
▪ Set of 3 Blades Size 1, 2, 3 and Adult Handle	▪ 24-200-31
▪ Set of 4 Blades Size 0, 1, 2, 3 and Adult Handle	▪ 24-200-40
▪ Set of 4 Blades Size 1, 2, 3, 4 and Adult Handle	▪ 24-200-41

Sets available in hard case or soft pouch



24-100-00
Mc - Intosh Blade Fiber Optic Illumination
Size: 00

24-100-01
Mc - Intosh Blade Fiber Optic Illumination
Size: 0

24-100-02
Mc - Intosh Blade Fiber Optic Illumination
Size: 1

24-100-03
Mc - Intosh Blade Fiber Optic Illumination
Size: 2

24-100-03
Mc - Intosh Blade Fiber Optic Illumination
Size: 3



24-100-04
Mc - Intosh Blade Fiber Optic Illumination
Size: 4

Specification:

- Fiber Optic Handle with 3.5mm dia for improved light transmission and longer life.
- Manufactured From AISI 304 Stainless Steel
- All Blades and Handles Compatible with ISO 7376 Standard
- Autoclavable
- Available in Halogen and LED Illumination
- Bulbs 2.5V
- Handles requires 2 x C size batteries
- Hard Case and Soft Pouch available



Head



Handle



Blade

McCoy Flexi - Tip Laryngoscopes

Fiber Optic Illumination

Adult Size



25-200-15
Handle Fiber Optic Illumination
Size: Adult



25-100-00
McCoy Blade Fiber Optic Illumination
Size: 1



25-100-02
McCoy Blade Fiber Optic Illumination
Size: 2



25-100-02
McCoy Blade Fiber Optic Illumination
Size: 3



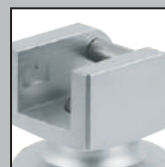
Standard Sets

Contents	Code
Set of 2 Blades Size 2, 3 and Adult Handle	25-200-30
Set of 2 Blades Size 3, 4 and Adult Handle	25-200-31
Set of 3 Blades Size 2, 3, 4 and Adult Handle	25-200-40

Sets available in hard case or soft pouch

Specification:

- Flexible Tip for difficult Intubation
- Fiber Optic Handle with 3.5mm dia for improved light transmission and longer life.
- Manufactured From AISI 304 Stainless Steel
- All Blades and Handles Compatible with ISO 7376 Standard
- Autoclavable
- Available in Halogen and LED Illumination
- Bulbs 2.5V
- Handles requires 2 x C size batteries
- Hard Case and Soft Pouch available



Head



Handle



Blade

McCoy Flexi - Tip Integrated Laryngoscopes

Fiber Optic Illumination

Adult Size



26-200-15
Handle Fiber Optic Illumination
Size: Adult



26-100-00
McCoy Blade Fiber Optic Illumination
Size: 1



26-100-02
McCoy Blade Fiber Optic Illumination
Size: 2



26-100-02
McCoy Blade Fiber Optic Illumination
Size: 3



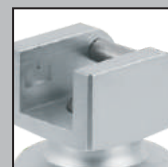
Standard Sets

Contents	Code
▪ Set of 2 Blades Size 2, 3 and Adult Handle	▪ 26-200-30
▪ Set of 2 Blades Size 3, 4 and Adult Handle	▪ 26-200-31
▪ Set of 3 Blades Size 2, 3, 4 and Adult Handle	▪ 26-200-40

Sets available in hard case or soft pouch

Specification:

- Flexible Tip for difficult Intubation
- Fiber Optic Handle with 3.5mm dia for improved light transmission and longer life.
- Manufactured From AISI 304 Stainless Steel
- All Blades and Handles Compatible with ISO 7376 Standard
- Autoclavable
- Available in Halogen and LED Illumination
- Bulbs 2.5V
- Handles requires 2 x C size batteries
- Hard Case and Soft Pouch available



Head



Handle



Blade

ENT Devices Fiber Optic Illumination



27-200-15
Brass Otoscope Fiber Optic
Brass Otoscope Conventional



28-200-15
ENT Set Complete



29-200-15
Brass Ophthalmoscope

Specification:

- Manufactured From Brass Chrome plated
- 3x Magnifying glass
- Available in Halogen and LED Illumination
- Bulbs 2.5V
- Handles requires 2 x C size batteries
- Hard Case and Soft Pouch available
- Fiber Optic Light Source

Mini Otoscope Fiber Optic Illumination



30-200-15

Mini Otoscope Fiber Optic
Complete Set of Disposable Cannulas

Color Options

Specification:

- Manufactured From Plastic Material
- 3x Magnifying glass
- Available in Halogen and LED Illumination
- Bulbs 2.5V
- Handles requires 2 x AA size batteries
- Soft Pouch available in matching colors
- Fiber Optic Light Source

Standard Accessories

Nasal Speculum



31-200-15



32-200-15



33-200-15

Bulbs



34-200-15



35-200-15



36-200-15



37-200-15

Ear Speculas



38-200-15



39-200-15



40-200-15



41-200-15

Ear Speculas & Testing Tube



42-200-15



43-200-15



44-200-15

Packaging Options



45-200-15



46-200-15

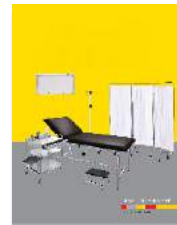


47-200-15



48-200-15

If required, we will gladly send you the Catalogue of our others products.



Realstar Hospital Supplies
Rang Pura Rd,
Sialkot-51310 Pakistan
Tel : +923348033729
Fax : +9252470067
Email : info@Realstarsurgical.com
Url : www.Realstarsurgical.com



ISO 9001: 2008
ISO 13485: 2003

